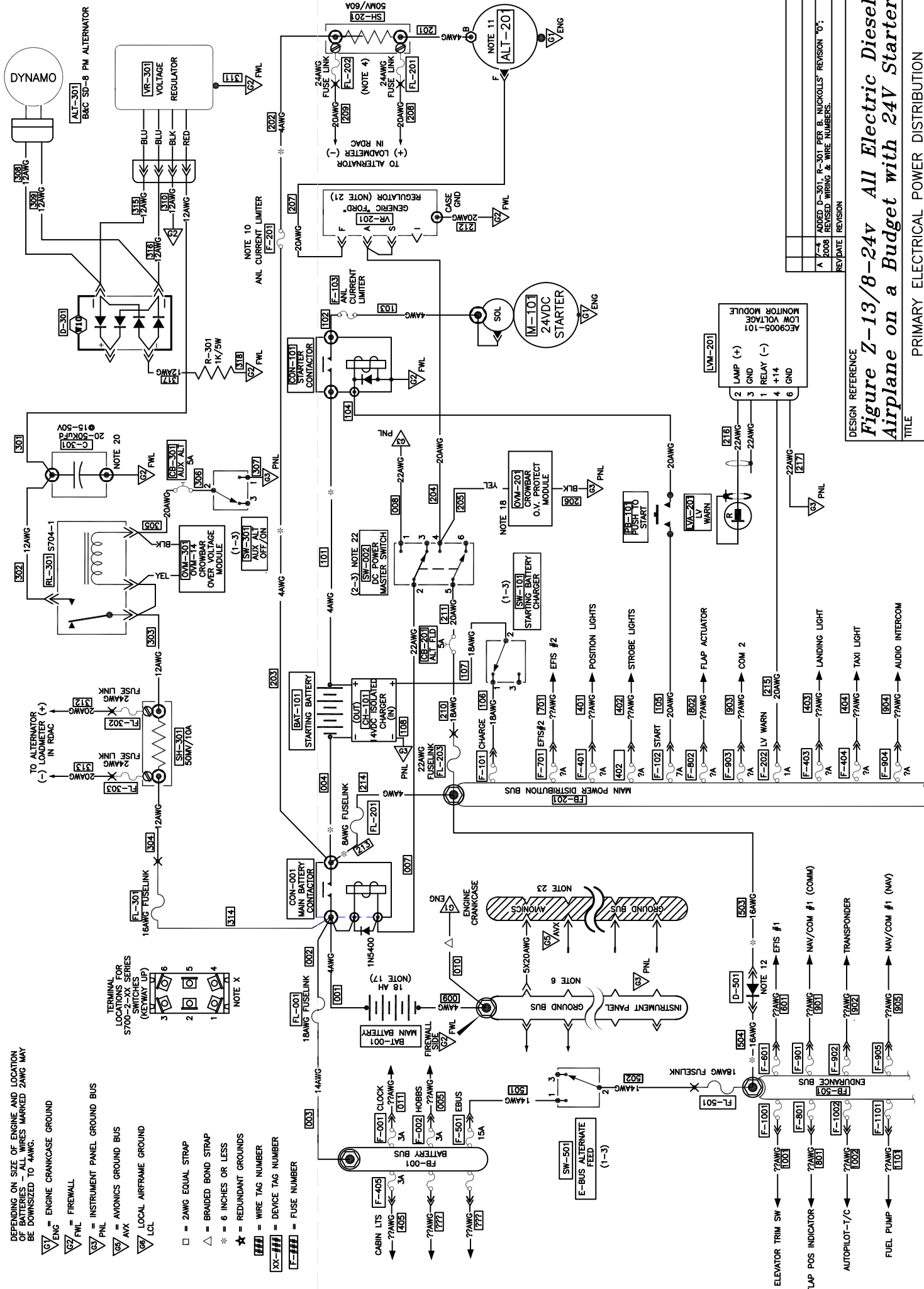
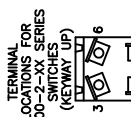


DEPENDING ON SIZE OF ENGINE AND LOCATION OF BATTERIES - ALL WIRES MARKED 2AWG MAY BE DOWNSIZED TO 4AWG.

- 67 = ENGINE CRANKCASE GROUND
- 67 = FIREWALL
- 67 = INSTRUMENT PANEL GROUND BUS
- 67 = AVIONICS GROUND BUS
- 67 = LOCAL AIRFRAME GROUND
- = 2AWG EQUAL STRAP
- △ = BRAIDED BOND STRAP
- * = 6 INCHES OR LESS
- ★ = REDUNDANT GROUNDS
- ### = WIRE TAG NUMBER
- XX-### = DEVICE TAG NUMBER
- F-### = FUSE NUMBER



DESIGN REFERENCE
**Figure Z-13/8-24v All Electric Diesel
 Airplane on a Budget with 24V Starter**
 TITLE
 PRIMARY ELECTRICAL POWER DISTRIBUTION
 DESIGN BY: JAMES MCBURNEY
 DRAWN BY: JBM
 DRAWING NUMBER: 8-5992-E-000
 REV A

REV	DATE	REVISION
1	7-4	ADDED D-301, R-301 PER B. NUCKOLLS' REVISION '0'.
2	2008	REVISED WIRING & WIRE NUMBERS.