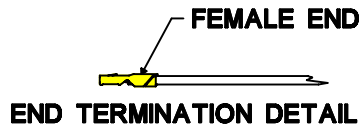
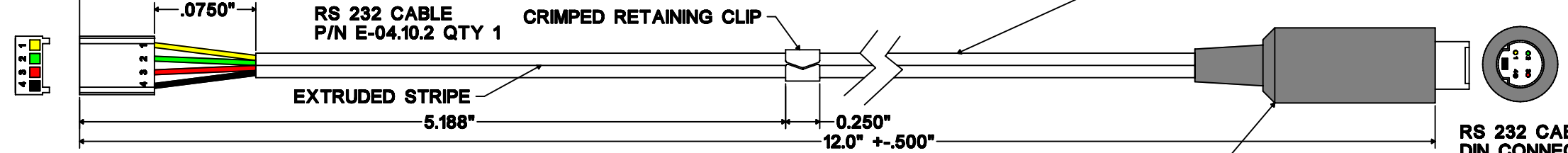
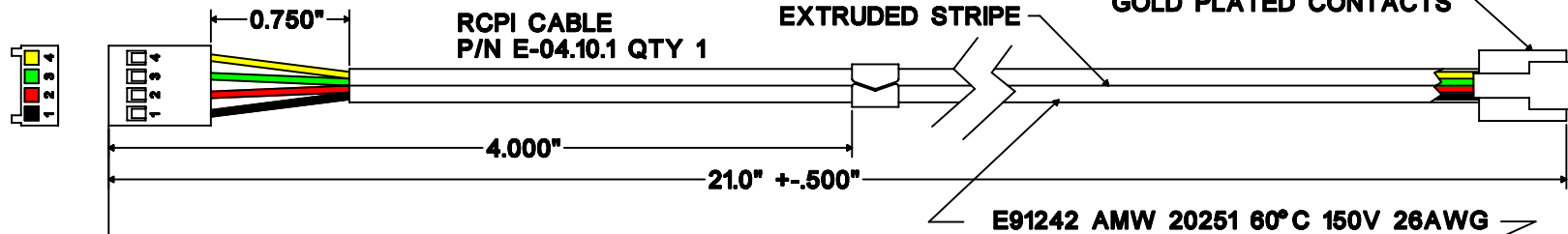


**PIN ASSIGNMENTS**

RCPI CABLE	PIN	FUNCTION
	1	REMOTE GROUND
	2	RESET
	3	ACTIVATE
	4	INDICATOR

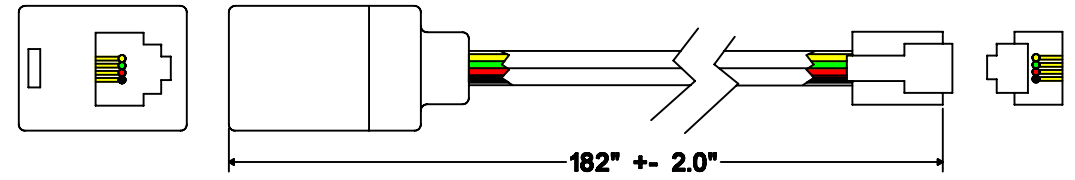
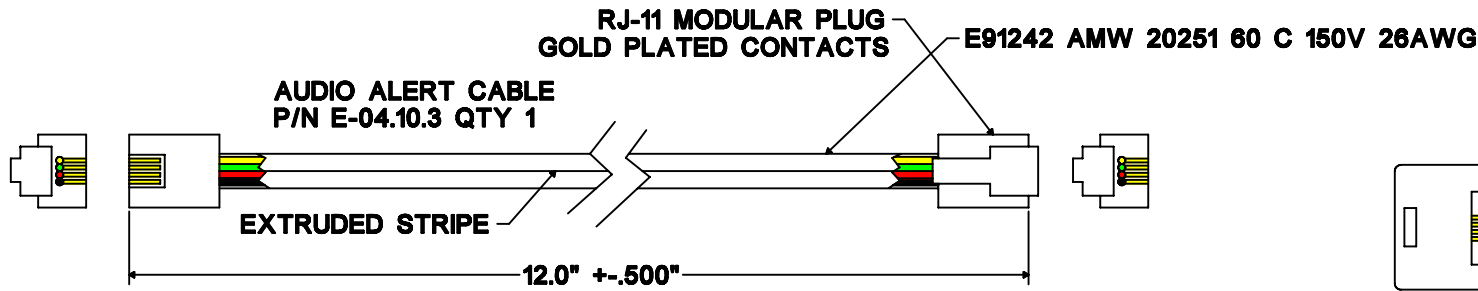


**4 PIN MINI DIN JACK (FEMALE)**  
**GOLD PLATED CONTACTS**  
**SOLDER CONTACTS**  
**JACK ONLY NO CABLE**  
**P/N E-04.10.6**



**RS 232 CABLE**  
**DIN CONNECTOR**

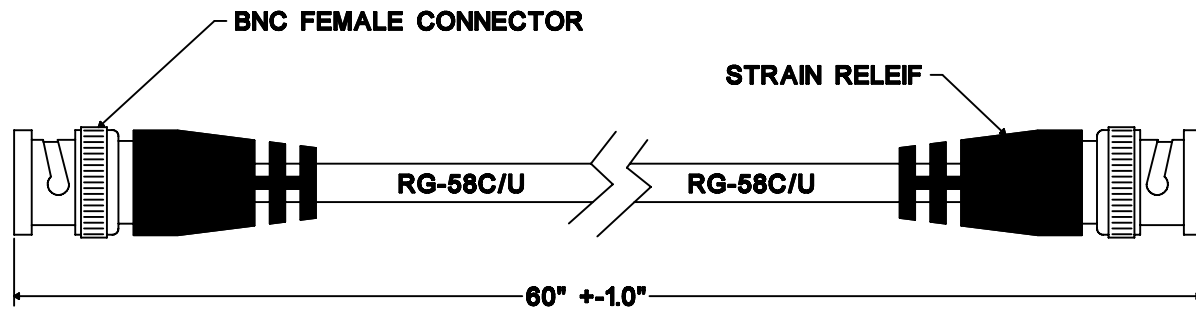
PIN	FUNCTION
1	GROUND
2	RS 232 OUT
3	RS 232 IN
4	A+



**REMOTE/AUDIO ALERT CABLE**

PIN/COLOR	FUNCTION
1 BLACK	REMOTE GROUND
2 RED	RESET
3 GREEN	ACTIVATE
4 YELLOW	INDICATOR

**REMOTE CABLE**  
**P/N E-04.10.5 QTY 1**  
**SAME AS OLD E-01-10A**



**COAX CABLE**  
**P/N E-04.10.4 QTY 1**  
**SAME AS OLD E-01-10C**

<b>ACK TECHNOLOGIES INC</b>		440 W JULIAN ST SAN JOSE, CA USA
CABLES E-04 ELT		
DRAWING NUMBER E-04.10		
DATE 03/10/2008		
REV 6	REV DATE 10/10/2008	
DRAWN BY: MA	CHECK BY: JC	
SHEET SIZE 8 1/2 X 14	SCALE 1:1	