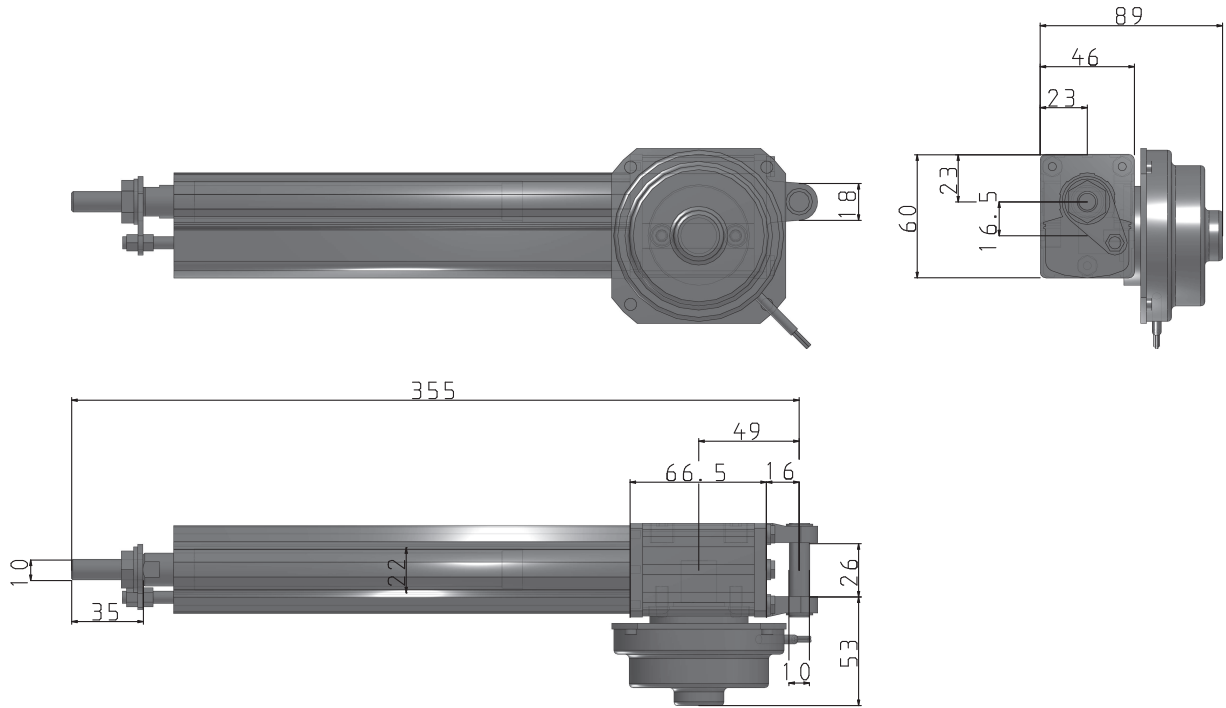
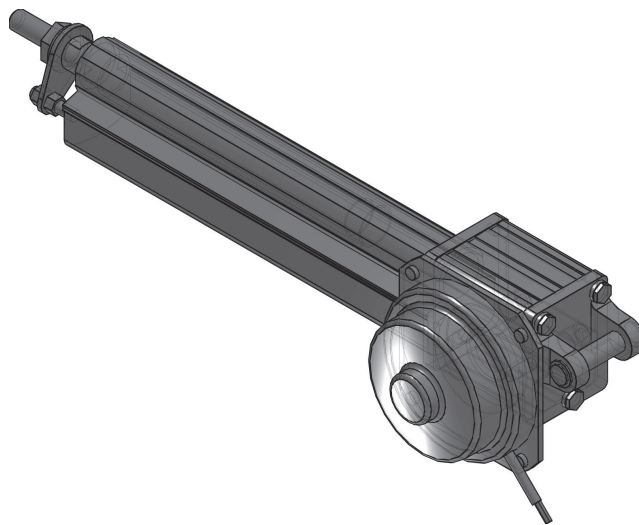


### 2D derivation



### ISO View



### Technical Data

<b>Motor assembly</b>	Left
<b>Stroke (S)[mm]</b>	150
<b>Retracted length (L)[mm]</b>	355
<b>Dynamic load[N]</b>	1500
<b>Motor options</b>	12 V DC, flat motor, IP44
<b>Dynamic load (N) / Speed (mm/s)</b>	1 500/1510
<b>Accessories</b>	with Limit Switch
<b>Ordering key</b>	CARL22X150X1/D12B_LS
<b>CAD model position</b>	Retracted