

THIS DRAWING CONTAINS PROPRIETARY DESIGNS, SPECIFICATIONS, DATA, INFORMATION, AND TECHNICAL MATERIAL THAT ARE THE SOLE PROPERTY OF AM-SAFE, INC. TO BE HELD AND TREATED BY ITS RECIPIENT ON CONFIDENTIAL BASIS, AND NOT TO BE SHOWN, DISCLOSED, REPRODUCED OR MANUFACTURED WITHOUT THE WRITTEN PERMISSION OF AM-SAFE, INC.

REVISIONS			
REV	DESCRIPTION	DATE	APPROVED
-	NEW DRAWING RELEASE RFE:6018A	5-23-02	DG TL
A	FOR TRIM & FINISH TABLE ADDED COLUMN FOR ITEM 9, CODE 17, ADDED NOTE 12 RFE:6099C	8-8-02	DG AK
B	IN TRIM & FINISH TABLE FOR 17, L1 & L2 DIMS WAS: 20.00 IS: 22.00 RFE:6104C	8-15-02	DG TL
C	ADDED 18 TO TRIM & FINISH CODE TABLE, FOR 17 IN TRIM & FINISH TABLE DEL L5 DIM RFE:6110B	8-22-02	DG TL
D	ADDED CODE 19 TO T & F CODE TABLE ECR-4413	03-22-04	DG JH
E	ADDED CODES 20 & 21 TO T & F TABLE ECR: 4848	10-12-04	DG JH

TRIM & FINISH CODE TABLE							
CODE	L1	L2	L3	L4	L5	ITEM 9 (QTY 2)	I.R. ORIENTATION
01	30.00	30.00	32.00	30.00	26.00	YES	BOTTOM DOWN
02	30.00	30.00	32.00	30.00	26.00	YES	BOTTOM UP
03	36.00	36.00	32.00	34.00	26.00	YES	BOTTOM DOWN
04	36.00	36.00	32.00	34.00	26.00	YES	BOTTOM UP
05	36.00	36.00	36.00	34.00	26.00	YES	BOTTOM DOWN
06	36.00	36.00	36.00	34.00	26.00	YES	BOTTOM UP
07	36.00	36.00	32.00	36.00	26.00	YES	BOTTOM DOWN
08	36.00	36.00	32.00	36.00	26.00	YES	BOTTOM UP
09	30.00	30.00	32.00	34.00	26.00	YES	BOTTOM DOWN
10	30.00	30.00	32.00	34.00	26.00	YES	BOTTOM UP
11	30.00	30.00	32.00	36.00	26.00	YES	BOTTOM DOWN
12	30.00	30.00	32.00	36.00	26.00	YES	BOTTOM UP
13	26.00	26.00	32.00	34.00	21.00	YES	BOTTOM DOWN
14	26.00	26.00	32.00	34.00	21.00	YES	BOTTOM UP
15	24.00	24.00	48.00	34.00	42.00	YES	BOTTOM DOWN
16	24.00	24.00	48.00	34.00	42.00	YES	BOTTOM UP
17	22.00	22.00	32.00	44.00	---	NO	BOTTOM DOWN
18	30.00	30.00	48.00	44.00	---	NO	BOTTOM DOWN
19	26.00	26.00	28.00	34.00	14.00	YES	BOTTOM DOWN
20	36.00	36.00	30.00	34.00	26.00	YES	BOTTOM DOWN
21	36.00	36.00	30.00	34.00	26.00	YES	BOTTOM UP

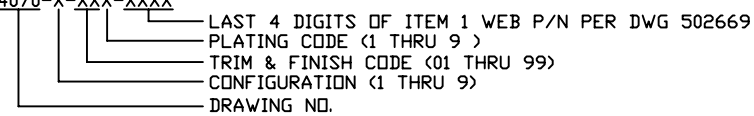
PLATING CODE TABLE	
CODE	FINISH
1	STANDARD FINISH

1 FOR COMPLETE PART AND SUB-ASSY NO., SEE NOTES 4 & 11

2 LABEL TO INCLUDE THE FOLLOWING INFORMATION:
PART NO. SEE NOTE 4
SUB-ASSY NO. SEE NOTE 11
DATE OF MFG. RATED: 3000 LBS
CONFORMS TO FAA TSD-C114

3 DECAL TO READ AS FOLLOWS:
PART NO. SEE NOTE 4
SUB-ASSY NO. SEE NOTE 11
CALIB. .75-1.5g RATED: 2500 LBS
DATE OF MFG CONFORMS TO TSD-C114

4 PART NUMBER CODE
4070-X-XXX-XXXX



5 FOR WEBBING AND THREAD PART NO./COLOR/SPECIFICATION/
SOURCE SEE DWG NO 502669.

6 THE CONDITIONS AND TEST REQUIRED FOR TSD APPROVAL OF THIS ARTICLE ARE MINIMUM PERFORMANCE STANDARDS. IT IS THE RESPONSIBILITY OF THOSE DESIRING TO INSTALL THE ARTICLE EITHER ON OR WITHIN A SPECIFIC TYPE OR CLASS OF AIRCRAFT TO DETERMINE THAT THE AIRCRAFT INSTALLATION CONDITIONS ARE WITHIN THE TSD STANDARDS. THE ARTICLE MAY BE INSTALLED ONLY IF FURTHER EVALUATION BY THE APPLICANT (USER/INSTALLER) DOCUMENTS AN ACCEPTABLE INSTALLATION AND IS APPROVED BY THE ADMINISTRATOR.

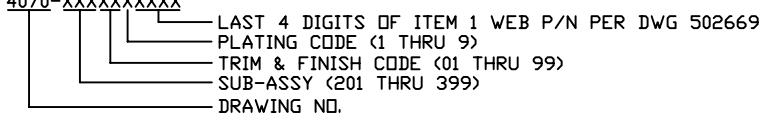
7 REPAIR OR DISASSEMBLY OF THIS SYSTEM MAY BE CARRIED OUT ONLY BY AM-SAFE INC (USA) OR AM-SAFE LTD (UK) OR AN AM-SAFE APPROVED REPAIR STATION. AM-SAFE INC IS NOT RESPONSIBLE FOR DAMAGE OR MALFUNCTION RESULTING FROM ANY UNAUTHORIZED ATTEMPT TO REPAIR OR DISASSEMBLE THE RESTRAINT SYSTEM

8 PRODUCTION TEST PER E503402-2

9 ALL DIMENSIONS ARE FULLY EXTENDED (WHERE APPLICABLE)

10 THIS ASSEMBLY CONFORMS TO FAA TSD-C114

11 SUB-ASSY CODE
4070-XXXXXXX



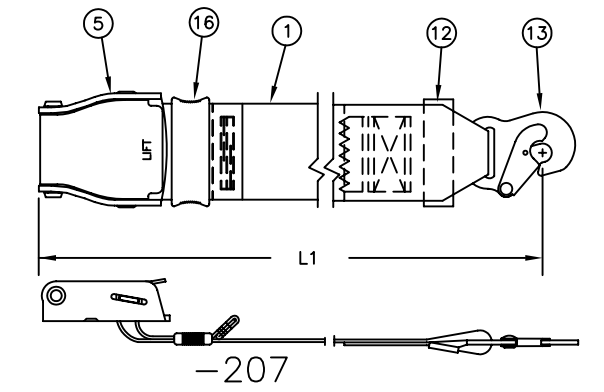
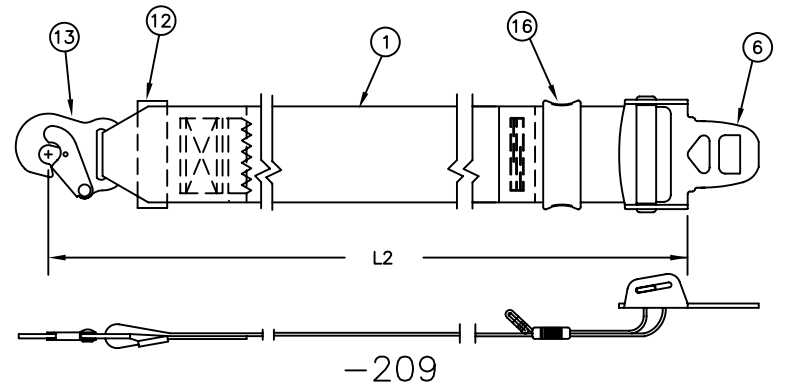
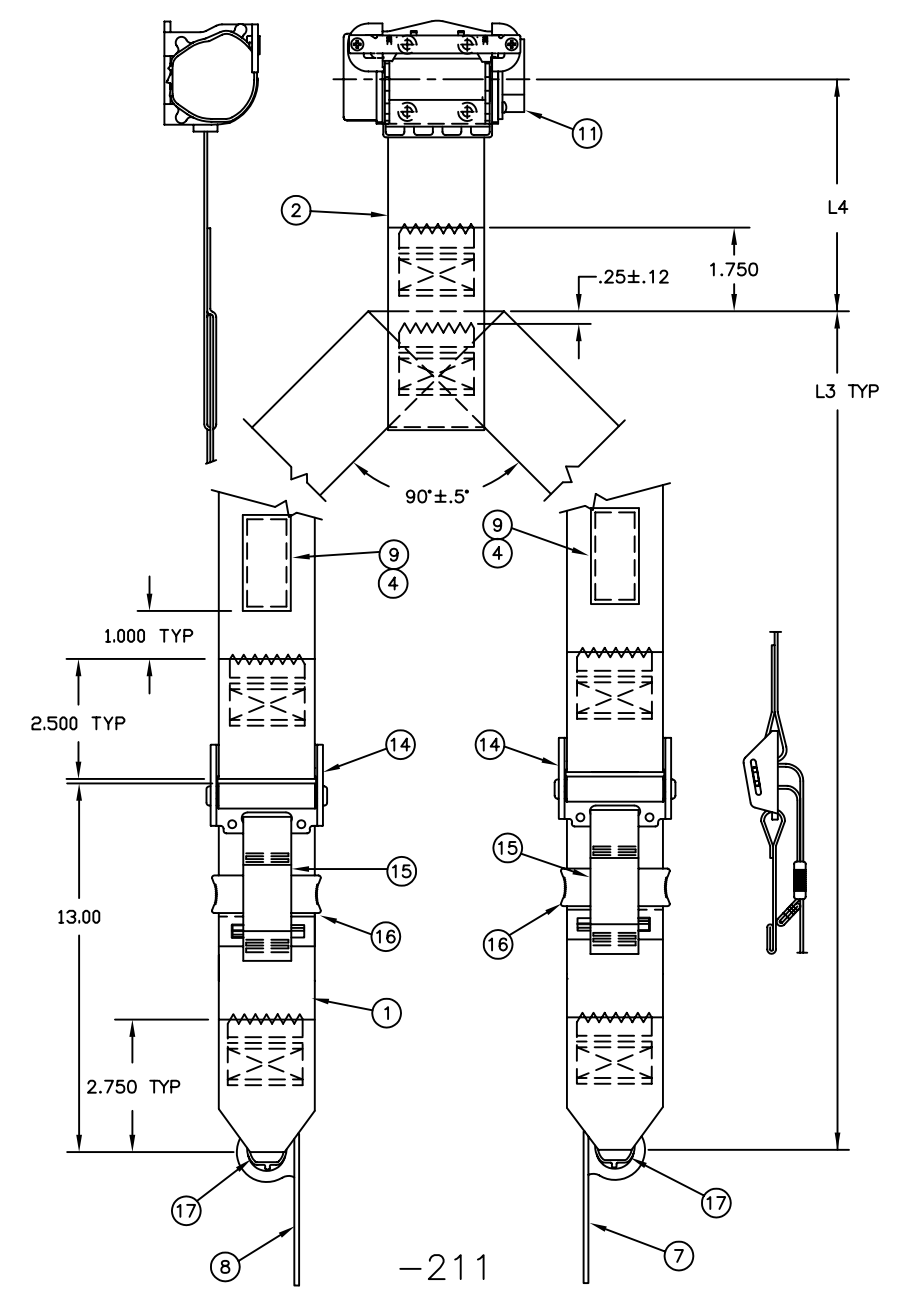
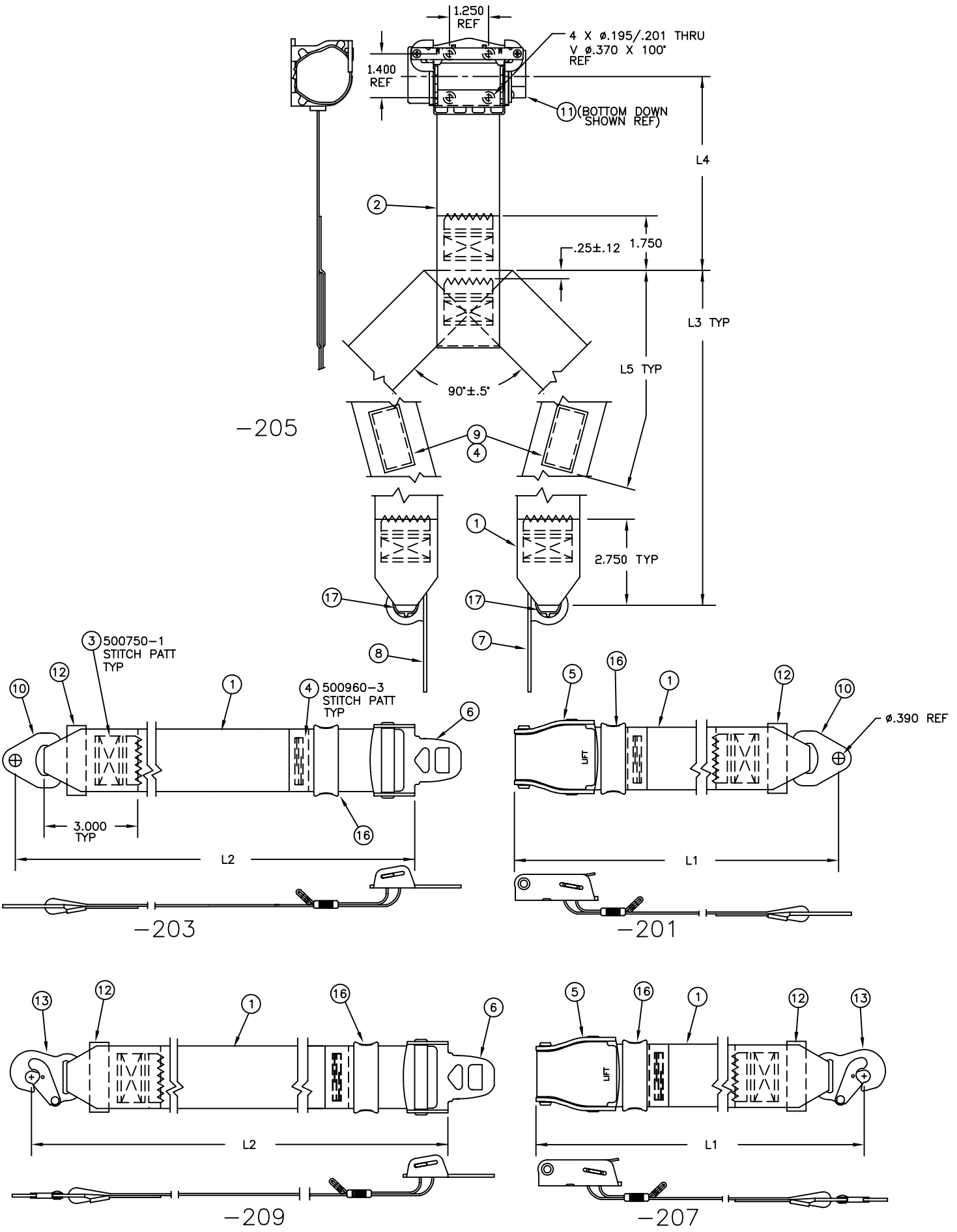
12 FOR PART NUMBER REQUIREMENTS SEE TRIM & FINISH CODE TABLE.

QTY.	REQD.	PER ASSY	PART OR IDENTIFYING NO.	NOMENCLATURE OR DESCRIPTION	MATERIAL OR NOTE	SPECIFICATION	ITEM							
2			AFG0568293	INSERT			17							
2	1	1	503964-1	WEB SLIDE			16							
2			500976-425	PULL TAB			15							
2			503050-409	ADJUSTER ASSY			14							
	1	1	502737-401	HOOK ASSY			13							
	1	1	444898-19	LABEL			12							
1		1	504579-405	INERTIA REEL ASSEMBLY			11							
		1	501743-7	END FITTING			10							
1		1	501677-4	TAPE-FASTENER, PILE	2.000 LONG	BLACK	9							
1		1	505122-2-72	ADAPTER, HARNESS			8							
1		1	505122-1-72	ADAPTER, HARNESS			7							
	1	1	504459-417-72	CONNECTOR ASSEMBLY			6							
		1	502750-401	BUCKLE ASSEMBLY	MODEL 501000		5							
A/R	A/R	A/R		5 THREAD	69		4							
A/R	A/R	A/R		5 THREAD	207		3							
A/R		A/R		5 WEBBING	WN1845	CLR/CUST REQ	2							
A/R	A/R	A/R		5 WEBBING	WN1655	CLR/CUST REQ	1							
X				-211 5 SHOULDER HARNESS										
	X			-209 5 CONNECTOR HALF										
		X		-207 5 BUCKLE HALF										
			X	-205 5 SHOULDER HARNESS										
			X	-203 5 CONNECTOR HALF										
			X	-201 5 BUCKLE HALF										
			X	-4 5 RESTRAINT SYSTEM ASSY										
			X	-3 5 RESTRAINT SYSTEM ASSY										
			X	-2 5 RESTRAINT SYSTEM ASSY										
			X	-1 5 RESTRAINT SYSTEM ASSY										
-211	-208	-207	-205	-203	-201	-4	-3	-2	-1					

UNLESS OTHERWISE SPECIFIED: DIMENSIONS ARE IN INCHES. METRIC ARE IN PARENTHESIS () DO NOT SCALE DRAWING. TOLERANCES: .XX±.50 .XXX±.250 ANGLES± 5° DIMENSIONS APPLY AFTER PROCESSING DRAWING INTERPRETATION PER ANSI Y 14.5 BREAK SHARP EDGES .003 - .010	<p>AMSAFE Am-Safe, Incorporated 1043 N. 47TH AVE, PHOENIX, AZ USA 85043 PH: 1+(602)8502850 FAX: 1+(602)8502812</p> <p>DRAWN: T.E.KOWALSKI 5-16-2002 CHECK: D.GDETZ 5-17-02 DESIGN: D.GDETZ 5-23-02</p> <p>PROJ: T.LITTLEMAN 5-24-02 SCALE: 1/2 WT:</p>	<p>DWG TITLE RESTRAINT SYSTEM ASSEMBLY</p> <p>SIZE: D CAGE CODE: OFWE1 DWG NO: 4070 REVISION: E SHEET: 1 OF 2</p>
---	--	--

THIS DRAWING CONTAINS PROPRIETARY DESIGNS, SPECIFICATIONS, DATA, INFORMATION, AND TECHNICAL MATERIAL THAT ARE THE SOLE PROPERTY OF AM-SAFE, INC. TO BE HELD AND TREATED BY ITS RECIPIENT ON CONFIDENTIAL BASIS, AND NOT TO BE SHOWN, DISCLOSED, REPRODUCED OR MANUFACTURED WITHOUT THE WRITTEN PERMISSION OF AM-SAFE, INC.

REVISIONS
SEE SHEET-1



-203

-201

-209

-207

QTY.	REQD.	PART OR IDENTIFYING NO.	NOMENCLATURE OR DESCRIPTION	MATERIAL OR NOTE	SPECIFICATION	ITEM
QTY. REQD. PER ASSY		LIST OF MATERIAL				
UNLESS OTHERWISE SPECIFIED: DIMENSIONS ARE IN INCHES. METRIC ARE IN PARENTHESIS () DO NOT SCALE DRAWING. TOLERANCES: .XX±.50 .XXX±.250 ANGLES± 5° DIMENSIONS APPLY AFTER PROCESSING DRAWING INTERPRETATION PER ANSI Y 14.5 BREAK SHARP EDGES .003 - .010						
DRAWN: /			DWG TITLE			
CHECK: /			RESTRAINT SYSTEM ASSEMBLY			
DESIGN: /			SIZE	CAGE CODE	DWG NO	REVISION
PROJ: /			D	OFWE1	4070	E
SCALE: /			WT: /	SHEET		2 OF 2
NEXT ASSY						

AMSAFE Am-Safe, Incorporated
1043 N. 47TH AVE, PHOENIX, AZ USA 85043
PH: 1+(602)8502850 FAX: 1+(602)8502812

ENGINEERING ORDER

DRAWING NO. 4070		DRAWING TITLE: REST SYS ASSY			ORIGINATED BY: M. PARKER			DISTRIBUTION		DISTRIBUTION	
NEXT HIGHER ASSY: N/A		DCN: X	LTR: E	EO AMENDMENT	CLASS: MAJOR	EFFECTIVITY: RELEASE DATE: 10.12.04					
		DDA:	LTR:	DATE:	MINOR: X	LOT NO.					
AFFECTED DOCUMENTS		TOOLING AFFECTED: YES NO X		A-078 REVIEWED	YES	N/A	ENG, B. Brown	APPROVAL			
								ENGINEERING	DATE		
								DESIGN	DATE		
MFG/TEST/INSP		YES	NO	DWG CHG TYPE		AFFECTED COMPONENTS		N/A	REWORK	USE AS IS	SCRAP
CMM/IPL			X	NEW REL		RAW MATERIAL	X				
PMA			X	ADD PARTS	X	IN PROCESS	X				
REGULATORY		*		SUB. PARTS		FINISHED	X				
AFFECTED DOC NOS.				DIM CHG		HIGHER ASSY					
*FAA NOTIFICATION				NOTE CHG		1.					
				PICTORIAL		2.					
				OTHER							
REASON(S) FOR CHANGE						CHANGE ORIGINATION:					
CUSTOMER REQUEST						ECR: 4848 CUSTOMER: BAS INC. ECR REQ BY: TOM HODGDON ECR REQ DATE: 10.04.04					
PRODUCTION CODE(S)		LINE	MKT/PROD	SPECIALTY	MFG GROUP CODE		XX-XXX				
XX		XX	XX-X								
DESCRIPTION OF CHANGE(S):											
ADDED CODES 20 & 21 TO TRIM AND FINISH CODE TABLE											