

CODE	TRIM & FINISH TABLE				ITEM 9	ITEM 15	SUPERSEDED BY
	L1	L2	L3	L4			
01	30.00	30.00	42.00	22.00	501580-439	0	CODE 05
02	30.00	30.00	42.00	22.00	501580-439	0	CODE 06
03	26.00	26.00	39.00	12.00	501580-559	0	CODE 07
04	26.00	26.00	39.00	12.00	501580-559	0	CODE 08
05	30.00	30.00	42.00	22.00	501580-439	4	
06	30.00	30.00	42.00	22.00	501580-439	4	
07	26.00	26.00	39.00	12.00	501580-559	4	
08	26.00	26.00	39.00	12.00	501580-559	4	

PLATING CODE TABLE	
CODE	FINISH
1	STANDARD FINISH

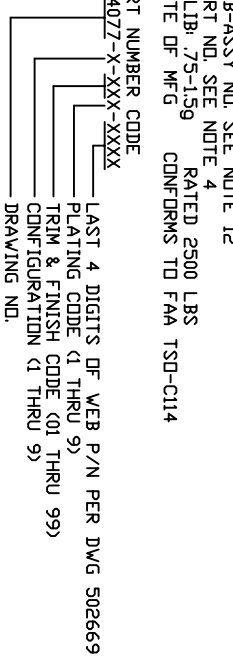
THIS DRAWING CONTAINS PROPRIETARY DESIGNS, SPECIFICATIONS, DATA, INFORMATION, AND TECHNICAL MATERIAL THAT ARE THE SOLE PROPERTY OF AM-SAFE, INC. TO BE HELD AND TREATED BY ITS RECIPIENT ON CONFIDENTIAL BASIS, AND NOT TO BE SHOWN, DISCLOSED, REPRODUCED OR MANUFACTURED WITHOUT THE WRITTEN PERMISSION OF AM-SAFE, INC.

REV	DESCRIPTION	DATE	APPROVED
-	NEW DRAWING RELEASE RFE6166	11-07-02	DG TL
A	ADDED T & F CODES 03 & 04, ADDED NOTES 13 & 14, ADDED COLUMN ITEM 9, ITEM 9 WAS 501580-439, RFE6304C.	4-21-03	DG JH
B	ADDED ITEM 15, NOTE 15, 503254-1 STITCH PATT TYP 7-28-03 DG JH COLUMN ITEM 15, CODES 05 THRU 08, SUP. BY COLUMN, ITEMS 10 & 14 WERE 501739-1 RFE-6403	7-28-03	DG JH

FOR COMPLETE P/N & SUB-ASSY NO. SEE NOTES 4 & 12

LABEL TO INCLUDE THE FOLLOWING INFORMATION:
SUB-ASSY NO. SEE NOTE 12
PART NO. SEE NOTE 4
DATE OF MFG. RATED: 3000 LBS
CONFORMS TO FAA TSD-C114

DECAL TO READ AS FOLLOWS:
SUB-ASSY NO. SEE NOTE 12
PART NO. SEE NOTE 4
CALIB: .75-1.59 RATED 2500 LBS
DATE OF MFG. CONFORMS TO FAA TSD-C114



FOR WEBBING AND THREAD PART NO./COLOR/SPECIFICATION/
SOURCE SEE DWG NO 502669.

PRODUCTION TEST PER E503402-2.

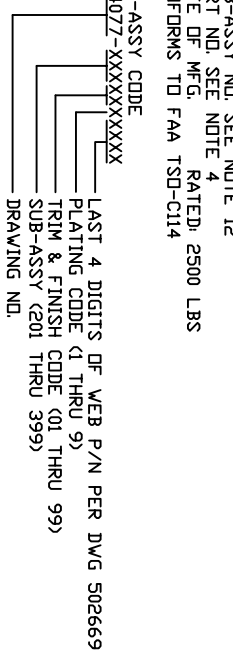
ALL DIMENSIONS ARE FULLY EXTENDED (WHERE APPLICABLE)

THIS ASSEMBLY CONFORMS TO FAA TSD-C114.

THE CONDITIONS AND TEST REQUIRED FOR TSD APPROVAL OF THIS ARTICLE ARE MINIMUM PERFORMANCE STANDARDS. IT IS THE RESPONSIBILITY OF THOSE DESIRING TO INSTALL THE ARTICLE EITHER ON OR WITHIN A SPECIFIC TYPE OR CLASS OF AIRCRAFT TO DETERMINE THAT THE AIRCRAFT INSTALLATION CONDITIONS ARE WITHIN THE TSD STANDARDS. THE ARTICLE MAY BE INSTALLED ONLY IF FURTHER EVALUATION BY THE APPLICANT (USER/INSTALLER) DOCUMENTS AN ACCEPTABLE INSTALLATION AND IS APPROVED BY THE ADMINISTRATOR.

REPAIR OR DISASSEMBLY OF THIS SYSTEM MAY BE CARRIED OUT ONLY BY AM-SAFE INC (USA) OR AM-SAFE LTD (UK) OR AN AM-SAFE APPROVED REPAIR STATION. AM-SAFE INC IS NOT RESPONSIBLE FOR DAMAGE OR MALFUNCTION RESULTING FROM ANY UNAUTHORIZED ATTEMPT TO REPAIR OR DISASSEMBLE THE RESTRAINT SYSTEM

LABEL TO INCLUDE THE FOLLOWING INFORMATION:
SUB-ASSY NO. SEE NOTE 12
PART NO. SEE NOTE 4
DATE OF MFG. RATED: 2500 LBS
CONFORMS TO FAA TSD-C114



FOR COMPLETE PART NO. SEE TRIM & FINISH TABLE
ELR W/RETRACTACTION DAMPER (REF)

SEE TRIM & FINISH TABLE FOR ITEM 15 REQ1.

THIS SHEET FILED AS 4077-1

QTY/REORDER PER ASSY	UNLESS OTHERWISE SPECIFIED: DIMENSIONS ARE IN INCHES. METRIC ARE IN PARENTHESES () DO NOT SCALE DRAWING.	LIST OF MATERIAL	SIZE	QTY
1	502913	PLUG	AN	15
1	505150-1	LABEL	S/D 444684	14
1	442878	END FITTING		13
2	500976-425	PULL TAB		12
2	503050-409	ADJUSTER ASSY		11
1	505150-1	LABEL	AN	10
1	501580-1	INERTIA REEL ASSY	AN	9
1	500782-17	END FITTING		8
1	503964-1	WEB SLIDE		7
2	500986-1	CONNECTOR		6
2	504459-409-72	CONNECTOR ASSY		5
1	502750-411	BUCKLE ASSY	MODEL 501000	4
A/R	A/R	THREAD	69	3
A/R	A/R	WEBBING	207	2
A/R	A/R	SHOULDER HARNESS	11200-5	1
A/R	A/R	SHOULDER HARNESS		
A/R	A/R	SHOULDER HARNESS		
A/R	A/R	CONNECTOR HALF		
A/R	A/R	BUCKLE HALF		
A/R	A/R	RESTRAINT SYSTEM ASSY		
A/R	A/R	RESTRAINT SYSTEM ASSY		
A/R	A/R	RESTRAINT SYSTEM ASSY		
A/R	A/R	RESTRAINT SYSTEM ASSY		

UNLESS OTHERWISE SPECIFIED: DIMENSIONS ARE IN INCHES. METRIC ARE IN PARENTHESES () DO NOT SCALE DRAWING.

TOLERANCES: .XX4.50 .XXXX.250 ANGLES±.5° DIMENSIONS APPLY AFTER PROCESSING BREAK SHARP EDGES .003-.010

SCALE 1/2

DATE: 11-07-02

DESIGN: DIGERTZ 11-07-02

PRD: LITTLEMAN 11-8-02

SIZE: OFWE1

DWG NO: 4077

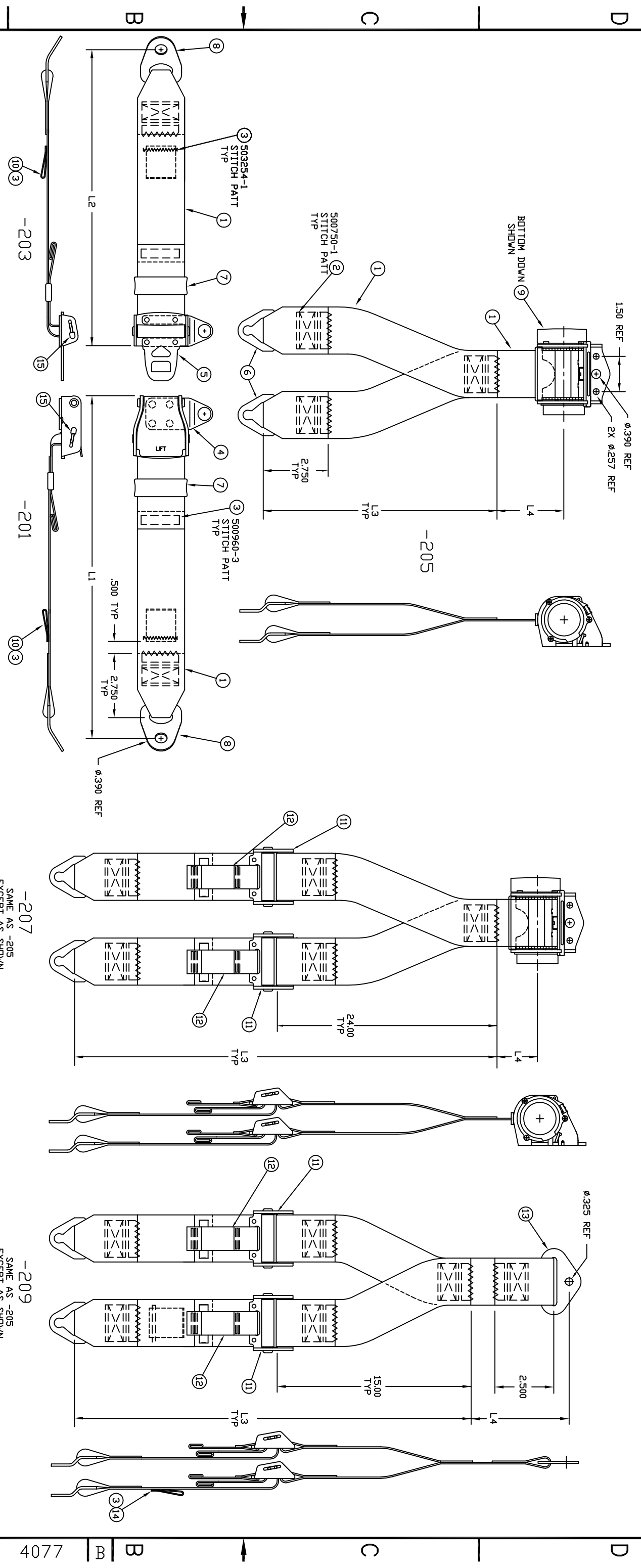
SHEET: 1 OF 2

AmSafe, Incorporated
PHOENIX, ARIZONA

RESTRAINT SYSTEM ASSEMBLY

THIS DRAWING CONTAINS PROPRIETARY DESIGNS, SPECIFICATIONS, DATA, INFORMATION, AND TECHNICAL MATERIAL THAT ARE THE SOLE PROPERTY OF AM-SAFE, INC. TO BE HELD AND TREATED BY ITS RECIPIENT ON CONFIDENTIAL BASIS, AND NOT TO BE SHOWN, DISCLOSED, REPRODUCED OR MANUFACTURED WITHOUT THE WRITTEN PERMISSION OF AM-SAFE, INC.

SEE SHEET 1



-207
SAME AS -205
EXCEPT AS SHOWN

-209
SAME AS -205
EXCEPT AS SHOWN

QTY./REORDER ASSY/	PART OR IDENTIFYING NO.	NONCUNGLATURE OR DESCRIPTION	MATERIAL OR NOTE	SPECIFICATION	ITEM
LIST OF MATERIAL					
UNLESS OTHERWISE SPECIFIED: DIMENSIONS ARE IN INCHES. METRIC ARE IN PARENTHESES () DO NOT SCALE DRAWING. TOLERANCES: XX.X .XXX. DIMENSIONS APPLY AFTER PROCESSING BREAK SHARP EDGES .003-.010					
DRAWN: AMSAFE AmSafe, Incorporated CHECKED: PHOENIX, ARIZONA DESIGN: RESTRAINT SYSTEM PRD.L: ASSEMBLY SCALE: V.T.					
SIZE: D			CAGE CODE: OFWE1	DWG NO: 4077	SHEET: 2 OF 2

THIS SHEET FILED AS 4077-2

ENGINEERING ORDER

DRAWING NO. 4077		DRAWING TITLE: RESTRAINT SYSTEM ASSEMBLY			ORIGINATED BY: M. PARKER			DISTRIBUTION ENG-3		DISTRIBUTION:		
NEXT HIGHER ASSY N/A		DCN: X	LTR: B	EO AMENDMENT	CLASS MAJOR	EFFECTIVITY			Labels-1 Tom H.-1			
		DDA: 	LTR: 	DATE	MINOR X	RELEASE DATE: 7/29/03	A-078			Arlene-2 ON HL-2		
						LOT NO.	REVIEWED			Ctr#14-1 QADYHL-1		
AFFECTED DOCUMENTS		TOOLING AFFECTED		YES NO X	A-078	YES NO X	ENG, QA	APPROVAL			Ctr#15-1 QALinet-1	
MFG/TEST/INSP		YES	NO	DWG CHG TYPE		AFFECTED COMPONENTS			DESIGN DATE			
CMM/IPL			X	NEW REL	RAW MATERIAL			N/A	REWORK	USE AS IS	SCRAP	DATE
PMA			X	ADD PARTS X	IN PROCESS			X				07-18-03
REGULATORY *				SUB. PARTS X	FINISHED				X			7-22-03
AFFECTED DOC NOS.				DIM CHG	HIGHER ASSY				X			7-25-03
*FAA APPROVAL				NOTE CHG	1.			X				7-21-03
				PICTORIAL X	2.							7/27/03
				OTHER								

REASON(S) FOR CHANGE				CHANGE ORIGATION:			
PRODUCT IMPROVEMENT FOR THE BUCKLE AND ADJUSTABLE CONNECTOR.				RFE #6403 CUSTOMER: AMSAFE INC. CSR:/REQ BY: TOM HODGDON DATE: 06-24-03			

PRODUCTION CODE(S):	LINE	PKT/PRD	SPECIALTY	MFG GROUP CODE:	30-001
	90	G4	TS5		

DESCRIPTION OF CHANGE(S):

ADDED ITEM 15, NOTE 15, AND 503254-1 STITCH PATT TYP.
 ADDED COLUMN ITEM 15 ON T & F CODE TABLE.
 ADDED T & F CODES 05 THRU 08
 ITEMS 10 & 14 WERE 501739-1
 ADDED SUPERSEDED BY COLUMN TO T& F TABLE